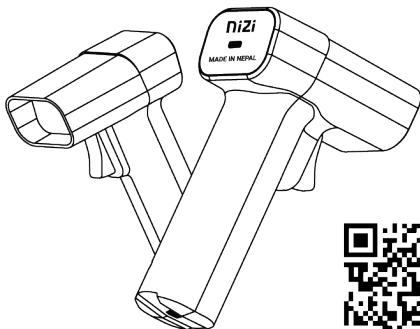


nizi [SCAN]

1D/2D SCANNER
WIRED / BLE

QUICK USER GUIDE



NiziScan - USB

NiziScan - BLE

NiziScan Pro - USB

NiziScan Pro - BLE

Table of Contents

Introduction.....	1
Packing List.....	1
Models.....	1
Hardware Overview.....	2
Setup and Usage Instructions.....	5
Bluetooth Setup.....	6
LED & Sound Indication.....	7
Technical Specification.....	8
Scanner Features.....	11
Setup Settings.....	12
Storage Instructions.....	17

Precautionary Measures.....	17
Safety Guidelines.....	19
Troubleshooting.....	20
Guarantee Information.....	21
Guarantee Eligibility.....	22
Guarantee Exclusions.....	23

Introduction

NiziScan & NiziScan Pro, made by **Yarsa Tech**, are powerful and reliable scanners designed for effortless and accurate scanning codes of various formats.

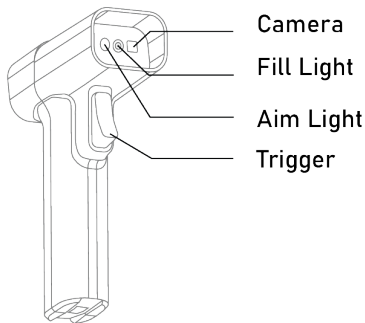
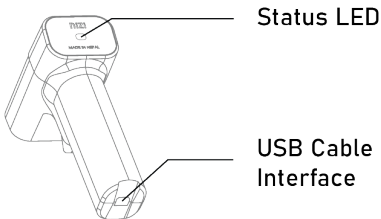
Packing List

Scanner x1, USB cable x1, Manual x1

Models

NiziScan		NiziScan Pro	
USB	Bluetooth	USB	Bluetooth
S0510	S0511	S0520	S0521

Hardware Overview



Aiming Light - Helps with positioning by acting as an aiming guide, ensuring accurate alignment for efficient scanning.

Fill Light - Enhances visibility in low-light conditions, improving barcode readability by increasing contrast.

Camera - Captures and processes images of various code formats, extracting data accurately. It enhances visibility and supports scanning of damaged or complex codes, including 1D and 2D formats.

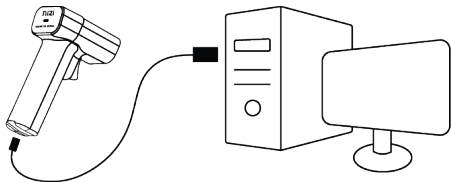
Trigger Key - Ergonomic trigger button that users press to start scanning. Smooth tactile feedback.

Status LED - Indicates a successful scan or that the scanner is powered on, confirming proper operation.

USB Cable Interface - Connects NiziScan to a computer via the USB Type-B port, enabling both data transfer and device power.

Setup and Usage Instructions

1. Connect the scanner using the provided USB cable:
 - Square end (USB Type-B): Connects to the scanner
 - Rectangular end (USB Type-A): Connects to the computer (USB Type-A port)
2. The cable serves the following purposes:
 - Provides power to the scanner
 - Transfer data to the computer



Bluetooth Setup

(For Wireless Models)

Ideal for connecting to Android, iOS, or Bluetooth-enabled Laptops.

1. **Enter Pairing Mode:** Press and hold the trigger for **10-15 seconds** until you hear the long sound.
2. **Search for Devices:** Open the Bluetooth settings on your host device (Phone/Tablet/PC).
3. **Connect:** Select Nizi scanner from the list of available bluetooth devices.
4. **Confirmation:** Once connected, the scanner will play 3 beeps.

LED & Sound Indication

Indicator	Description
Green LED ON	Indicator flashes briefly after a successful read.
Red LED*	Device is charging.
Solid Green LED*	Device fully charged.
Flashing Green LED*	Device in pairing mode.
Sound Type	Description
Long Sound	Device Powering ON.
Short Beep	Successful read.
Two Beeps*	Device in pairing mode.
Three Beeps*	Pairing successful.
Long Beep*	Device in sleep mode.
Long Sound + Two Beeps*	Force disconnect. Device automatically goes to pairing mode.

* For wireless models

Technical Specification

Features	NiziScan	NiziScan Pro
Color	Grey	
Dim.	106 mm × 148 mm × 50 mm (W × H × D)	
Wire	1.5 meters	
Image Sensor	640×480 CMOS Rolling Shutter Scan	800x600 CMOS Global Scan
Scan Rate	30 fps	60fps
Perspective	37°H, 28°V	43°H, 33°V
Symbol Contrast	<i>20% (Minimum brightness difference required for barcode readability)</i>	
Input Voltage	DC 5V±0.25V	

Operating Current	160mA	
Max. Peak Current	200mA	
Category	1D Code, 2D Code	
Reading Accuracy	1d \geq 5mil / 2d \geq 10mil	1D: \geq 3mil / 2D: \geq 7.5mil
Scan Dist.	16cm to 30cm	
Decoding Type	1D Code: Code128, Code39, Code93, Code11, CodaBar, Interleaved 2 of 5, MSI Plessey, EAN13, EAN8, UPC- A, UPC-E0, UPC-E1, Industrial 25, Matrix 2 of 5, RSS-14, RSS-Limited, RSS- Expanded, China Post, Code 16k	

	2D Code: QR Code, PDF417, DataMatrix(ECC200), Chinese Sensible(HanXin) Code, Micro QR, Maxicode Micro, Aztec
Storage Temp.	-20°C to 60°C
Operating Temp.	0°C to 50°C
Prompts	LED, buzzer
Interface	USB
Scanning Modes	Manual, Continuous, Sense
Drop Resistance	Tested up to 8ft

Scanner Features

- Plug-and-play functionality
- Supports 1D and 2D barcode scanning
- Reads codes at 16cm to 30 cm distance
- Manual, Continuous, and Sense modes
- Customizable scan settings
- LED + Buzzer indicators for operation status
- Operates at 5V DC with USB-A to USB-B Cable

For Wireless Models:

- Wireless transmission distance is 240 meters in open environment without electromagnetic interference (*In typical scenarios, the range is 10-30 meters*)
- Low power consumption, long standby time, built-in 2600 mAh lithium battery

Setup Settings

Scan the following codes to change the scanner settings:

NiziScan	NiziScan Pro
Restore Factory Settings:	
	
Tail After Scan:	
 Tail OFF	 Tail OFF



Enter After Scan



Enter After Scan



Tab After Scan



Tab After Scan



New Line After Scan



New Line After Scan

Scan Mode Configurations:



Manual Trigger



Manual Trigger



Continuous



Continuous



Sense



Sense

Buzzer Settings:



Buzzer ON



Buzzer ON



Buzzer OFF



Buzzer OFF

Note that this toggles good scan beep only.

Fill Light Settings:



Positioning Light ON



Positioning Light ON



Positioning Light OFF



Positioning Light OFF

Storage Instructions

For storage, keep the Nizi scanner in a dry, dust-free environment with a temperature range of -20°C to 60°C. Avoid high humidity, and extreme temperatures. Store it in a protective case to prevent damage and keep it away from liquids and corrosive substances. Avoid placing heavy objects on it.

Precautionary Measures

1. Handle this scanner with care. Do not drop, throw, or use it with any sharp objects. Avoid using it with sharp tools or in hazardous conditions. Nizi scanner is a sensitive electronic device and improper use could cause damage or harm to you or those nearby.

2. Ensure that the voltage of the device you are using with the scanner matches its voltage before making a connection.
3. Do not attempt to disassemble or alter this Nizi scanner or any related components, including cables. Using improper tools may cause short circuits, resulting in damage, malfunction, or even risk of fire.
4. Keep the Nizi scanner away from excessive heat sources, fire, or water. Exposure to high temperatures or water can damage the device, increasing the risk of fire or malfunction.

Safety Guidelines

Before using this Nizi scanner, carefully read and understand the instructions provided. Do not use the scanner in areas with chemical or flammable substances, or in places with extreme temperatures. If the scanner is cracked, broken, dropped, or opened by anyone other than authorized personnel, immediately stop using it and take it to an authorized service center for inspection. Keep the device out of reach of children.

Always read and follow the instructions provided, and make sure to educate others as well. When not in use, keep the Nizi scanner stored in a safe place to prevent any risk of damage or accidents.

Troubleshooting

Problem	Solution
No power	Check if the cable is in good condition.
Scan data not uploaded	Check the cable condition. For wireless model, ensure that the device is connected and is within the range.
Immediate OFF after power ON*	Ensure that the device is charged. Check cable if the power is being supplied properly.
Other conditions	Perform factory reset and try again. Contact Nizi Support if required.

** For wireless models*

Guarantee Information

If your scanner shows any manufacturing defects within **one year**, or if the device does not function properly with the equipment it is meant to be used with, the manufacturer will replace the device at no cost.

The manufacturer provides a **One-year Replacement Guarantee** for both NiziScan and NiziScan Pro. In all matters related to the guarantee, the manufacturer's decision will be final and binding. Any damage or defect arising from misuse or improper handling is not covered under the guarantee. The manufacturer's liability is limited to the purchase price of the Nizi scanner as stated at the time of purchase.

Guarantee Eligibility

The Guarantee will apply if the Nizi scanner was purchased through an authorized dealer or distributor and the following conditions are met:

- The Guarantee card and the original purchase receipt are provided along with the scanner.
- Nizi scanner has not been tampered with, opened, or damaged, and has been used with the correct powering method.
- Nizi scanner has been used, stored, and transported according to the instructions provided.

Guarantee Exclusions

The Guarantee will not apply under the following conditions:

- If the device is cracked or physically damaged.
- If the device water damaged or exposed to excessive heat.
- If the anti-tamper seal is broken or has been tampered with.
- If the device has been opened or modified by unauthorized personnel.
- If the device has been exchanged or parts have been swapped.
- If the device has been powered with excessive voltage than rated value.
- If the device has been damaged due to improper use or mishandling.

- If the device fails to scan specific barcode types or sizes, as the buyer is responsible for ensuring compatibility with their requirements prior to purchase.

Guarantee Card



Serial No.: _____

Date (B.S.): _____ / _____ / _____

Customer: _____

Seller: _____



For warranty terms and conditions, please refer to pages 21 to 24.